

BEEM® by HEATSAIL

TECHNICAL INFORMATION



**RUSTPROOF &
WEATHERPROOF**



**LOW ENERGY USAGE
ZERO CO2 EMISSION**



**MINIMUM OF
MAINTENANCE**

BEEM® by HEATSAIL

FEATURES



IP
43

CE



MINIMUM OF
MAINTENANCE

By using highly-efficient and durable ceramic heating elements and the best materials, the BEEM is virtually maintenance free.



RUSTPROOF &
WEATHERPROOF

The BEEM is made with high quality aluminium and stainless steel, making it suitable for outdoor use.



UNIQUE
VERSATILITY

The BEEM is available in four different sizes and with several options making it suitable for almost every location.



LOW ENERGY USAGE
ZERO CO2 EMISSION

With an energy consumption of only 3,24 - 4,32 kW/h, the BEEM uses less energy than similar products while still delivering optimal heating.



Headquarters

Prins Boudewijnlaan 7 Unit A 08
2550 Kontich
Belgium
+ 32 3 502 99 88

North American office

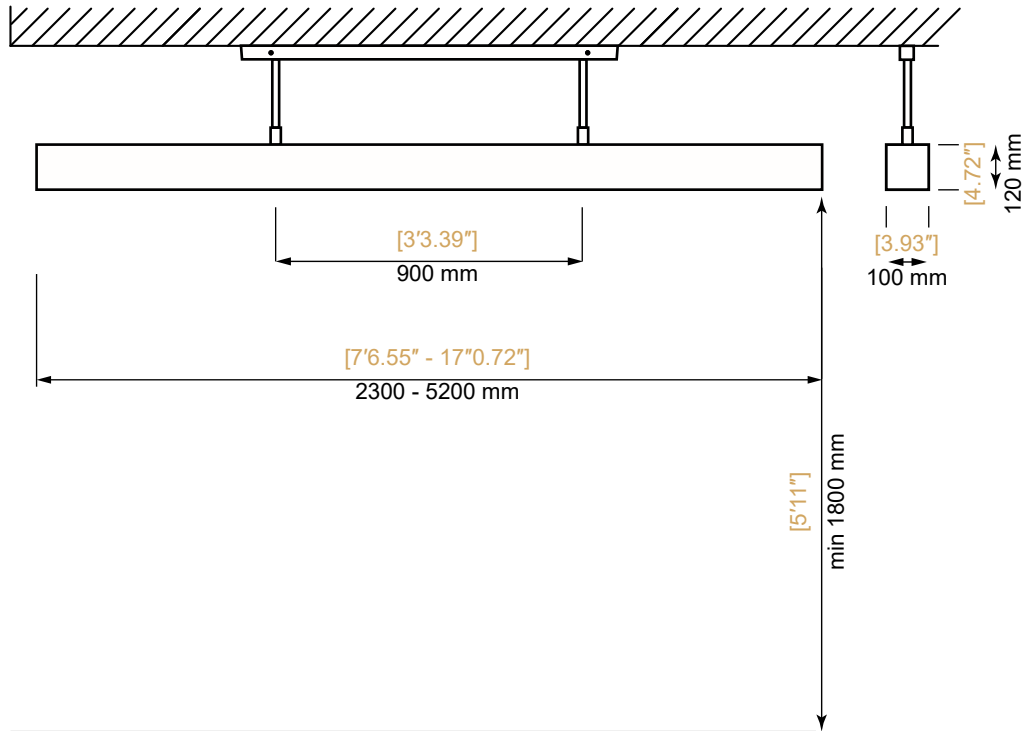
10440 N Central Expressway
Suite 800, Dallas, Texas 75231
United States
+ 1 (214) 808 5091

W: www.heatsail.com

E: sales@heatsail.com

BEEM® by HEATSAIL

DIMENSIONS



SPECIFICATIONS

Model	BEEM 230	BEEM 290	BEEM 390	BEEM 520
Heat output (W)	3000 W	3000W	4000 W	4000 W
Light Output (W)	max 240 W	max 240 W	max 320 W	max 320 W
Electrical connection	110-120/220-240V AC - 60Hz 16 A		110-120/220-240V AC - 60Hz 20 A	
Dimensions (WxDxH)	2300 x 120 x 100 mm [7'6.5" x 4.75" x 4"]	2900 x 120 x 100 mm [9'6" x 4.75" x 4"]	3900 x 120 x 100 mm [12'9.5" x 4.75" x 4"]	5200 x 120 x 100 mm [17'1" x 4.75" x 4"]
Mounting height requirement to ground	min 1800 mm; max 2150 mm - [min 5'11"; max 7'1"]			
Ceiling height	min 2120 mm; max 3770 mm - [min 6'11.5"; max 12'5"]			
Weight	+/- 22 kg - [48.5 lbs]	+/- 26 kg - [57.3 lbs]	+/- 35 kg - [77.2 lbs]	+/- 44 kg - [97 lbs]
Approvals	UL 60335-1, CAN/CSA-C22.2 No. 60335-1:16, CAN/CSA-E60335-2-30:13, IEC 60335-2-30, CE			



Headquarters
 Prins Boudewijnlaan 7 Unit A 08
 2550 Kontich
 Belgium
 + 32 3 502 99 88

North American office
 10440 N Central Expressway
 Suite 800, Dallas, Texas 75231
 United States
 + 1 (214) 808 5091

W: www.heatsail.com
E: sales@heatsail.com

BEEM[®] by HEATSAIL

ELECTRICAL SAFETY REQUIREMENTS

The use of the BEEM requires an electrical installation with reliable safety grounding.

The installation's electrical safety can only be guaranteed if the device has been correctly connected to an grounding system built in accordance with the safety instructions. A preliminary inspection is absolutely essential. In the event of any uncertainty, a careful inspection must be made by a qualified and authorized technician. Heatsail will not be held responsible for injury and/or damage resulting from an ungrounded installation.

The installation of the BEEM's electrical components requires a split phase three wire electrical system of 110-120/220-240V AC-60 Hz (16-20 Amp fuse and appropriate RCD); the connection must be properly implemented in accordance with the applicable IEC-CEI standards. Please note: statutory and other regulation may apply locally.

This product must be installed by a Qualified Electrician and the power supply connection should be in accordance with the requirements of NFPA 70 and OSHA Regulations 29 CFR 1910.304(b)(2).

The electrical power supply will need to be interrupted using lock-out/tag-out procedures before connecting and/or other work on the electrical components can be carried out. Everyone must satisfy themselves that the power cannot be switched on again accidentally. Electrical adapters, power strips and/or extension cords may not be used for the BEEM's electrical supply. A switch must be installed between the BEEM and the fuse box at all times.

Non-compliance with these instructions may compromise the safety of the device. Heatsail will not be held liable for any damage resulting from this.

NOTE: The BEEM will be delivered with a power supply cord without a wall plug.



Headquarters

Prins Boudewijnlaan 7 Unit A 08
2550 Kontich
Belgium
+ 32 3 502 99 88

North American office

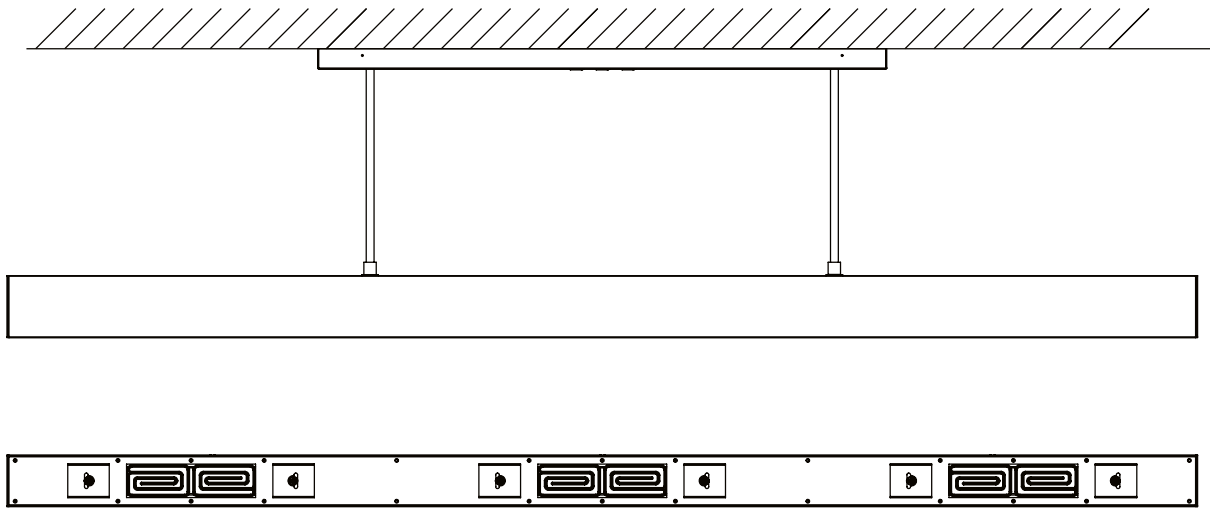
10440 N Central Expressway
Suite 800, Dallas, Texas 75231
United States
+ 1 (214) 808 5091

W: www.heatsail.com

E: sales@heatsail.com

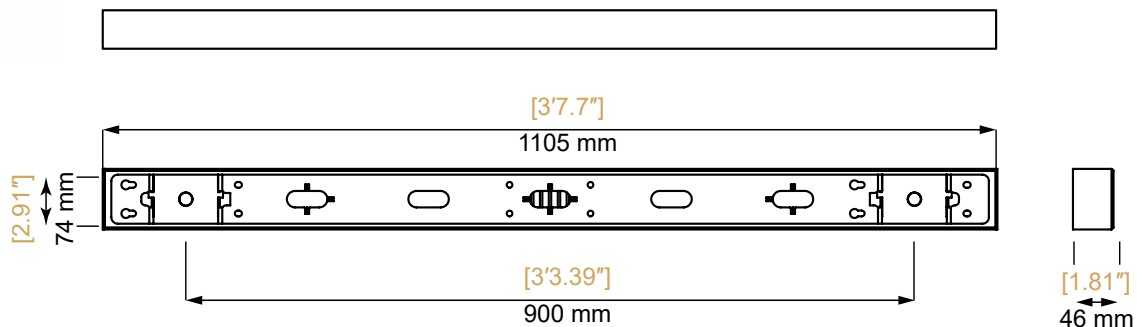
BEEM® by HEATSAIL

MOUNTING METHOD: BRACKETS AND STEMS



- ✓ Use: Indoor and outdoor (sheltered)
- ✓ For horizontal ceilings
- ✓ Fixed position between the stems: 900 mm
- ✓ Maximum length of the stems: 1500 mm
- ! Supplied stems are 1500 mm: the length needs to be cut by the end user
- ! Always use the correct ceiling anchors and screws according to the mounting surface

DETAILS CEILING MOUNT



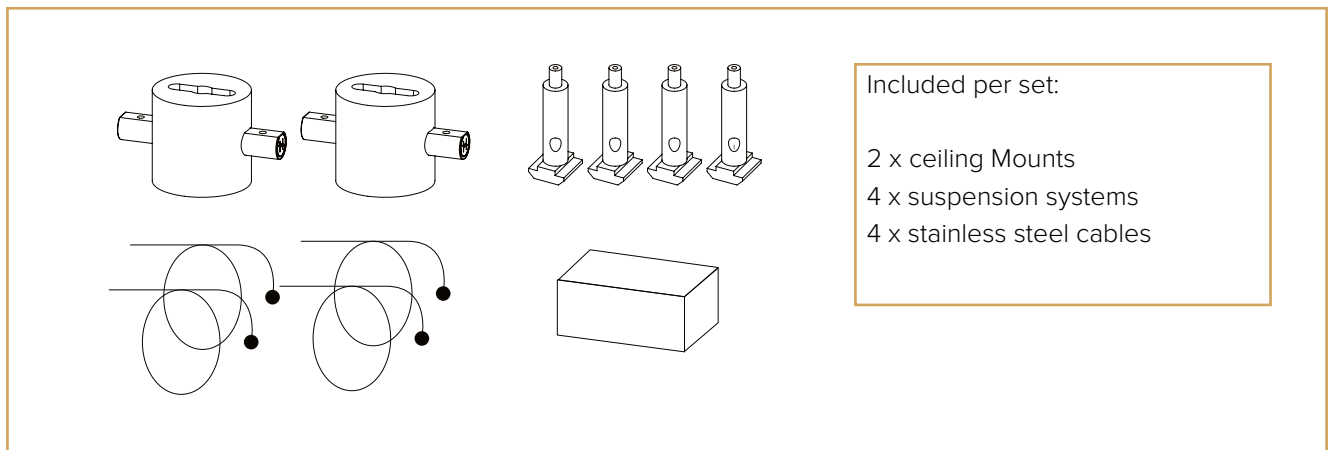
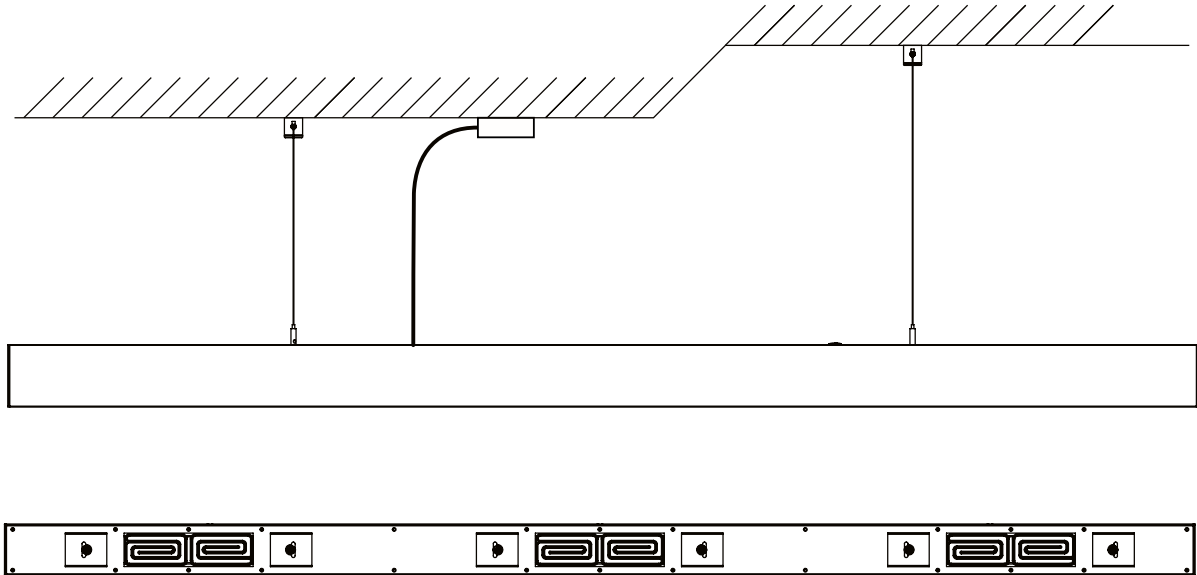
Headquarters
Prins Boudewijnlaan 7 Unit A 08
2550 Kontich
Belgium
+ 32 3 502 99 88

North American office
10440 N Central Expressway
Suite 800, Dallas, Texas 75231
United States
+ 1 (214) 808 5091

W: www.heatsail.com
E: sales@heatsail.com

BEEM® by HEATSAIL

MOUNTING METHODS: SUSPENSION CABLES



- ✓ Use: Indoor and/or completely sheltered
- ✓ For slanted and horizontal ceilings
- ✓ Position between mounts is variable
- ✓ Maximum length of the steel cables: 4000 mm
- ⚠ Only to be used in a wind-free environment
- ⚠ Always use the correct ceiling anchors and screws according to the mounting surface



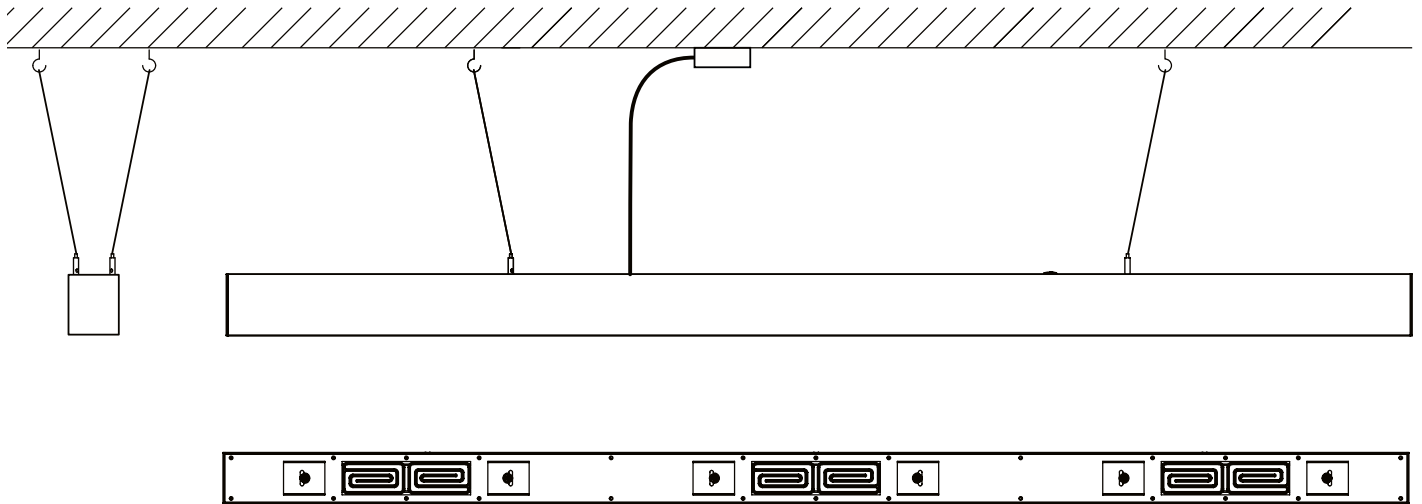
Headquarters
Prins Boudewijnlaan 7 Unit A 08
2550 Kontich
Belgium
+ 32 3 502 99 88

North American office
10440 N Central Expressway
Suite 800, Dallas, Texas 75231
United States
+ 1 (214) 808 5091

W: www.heatsail.com
E: sales@heatsail.com

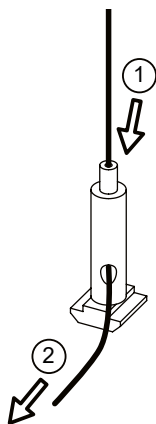
BEEM[®] by HEATSAIL

MOUNTING METHODS: SUSPENSION CABLES



If the BEEM is installed in an area with windy conditions or with a high ceiling, it is advised to hang the suspension cables slanted and angled to improve stability. Heatsail advises an angle of around 5° from the vertical axis to improve stability.

! Eye bolts, eye screws or other means of fixing are not included. Please contact a local hardware store for the



The height of the BEEM is easily adjustable with the system with suspension cables. The intuitive locking mechanism of the suspension system is handled by only 2 actions:

1. push the knob down
2. pull the cable to adjust the height of the BEEM accordingly. The BEEM needs to hang at a minimum height of 1m80 (min 5'11")



Headquarters
Prins Boudewijnlaan 7 Unit A 08
2550 Kontich
Belgium
+ 32 3 502 99 88

North American office
10440 N Central Expressway
Suite 800, Dallas, Texas 75231
United States
+ 1 (214) 808 5091

W: www.heatsail.com
E: sales@heatsail.com

BEEM[®] by HEATSAIL

ELECTRICAL OVERVIEW

The BEEM consists out of an aluminium enclosure with three to four modules with rectangular heating elements and halogen lamps. Each module has two heating elements of 500 W at 220-240V AC and two G9 halogen lamps of max 40 W at 110-120 V AC.

Because of the high heat a LED lamp is not possible, LED cannot withstand high temperatures that the BEEM outputs.

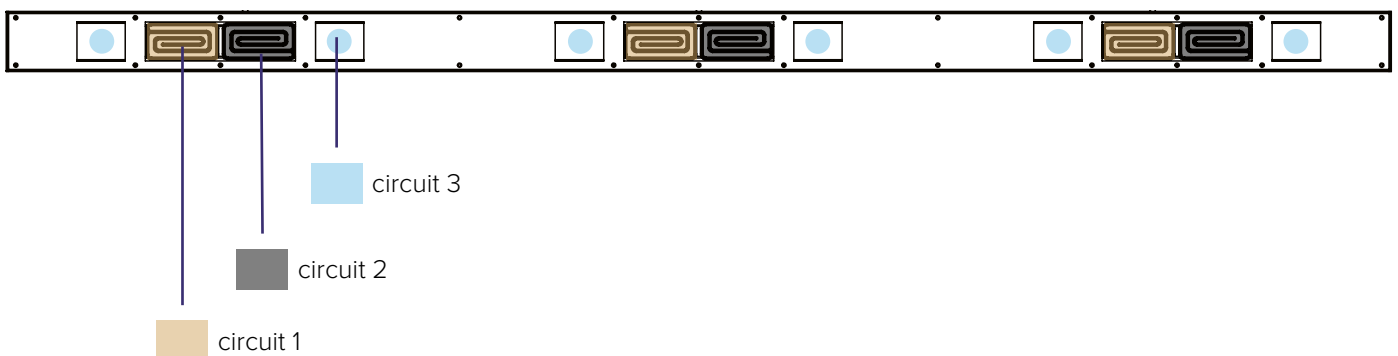
There are three electrical circuits in the BEEM. These circuits have a total of 16-20 Amps at 110-120/220-240V AC.

B230 B290

- Circuit 1: Heating circuit 1 consists of three rectangular heater elements and has a total heat output of 1500 W at 220-240V AC.
- Circuit 2: Heating circuit 2 consists of three rectangular heater elements and has a total heat output of 1500 W at 220-240V AC.
- Circuit 3: Lighting circuit consists of six G9 bulbs of max 40 W at 110-120V AC. This circuit can be changed to 220-240V AC, bulbs will have to be replaced by G9 bulbs of max 40 W at 220-240V AC.

B390 B520

- Circuit 1: Heating circuit 1 consists of four rectangular heater elements and has a total heat output of 2000 W at 220-240V AC.
- Circuit 2: Heating circuit 2 consists of four rectangular heater elements and has a total heat output of 2000 W at 220-240V AC.
- Circuit 3: Lighting circuit consists of eight G9 bulbs of max 40 W at 110-120V AC. This circuit can be changed to 220-240V AC, bulbs will have to be replaced by G9 bulbs of max 40 W at 220-240V AC.



Headquarters
Prins Boudewijnlaan 7 Unit A 08
2550 Kontich
Belgium
+ 32 3 502 99 88

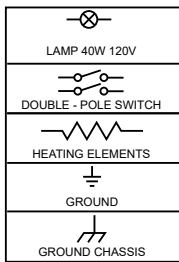
North American office
10440 N Central Expressway
Suite 800, Dallas, Texas 75231
United States
+ 1 (214) 808 5091

W: www.heatsail.com
E: sales@heatsail.com

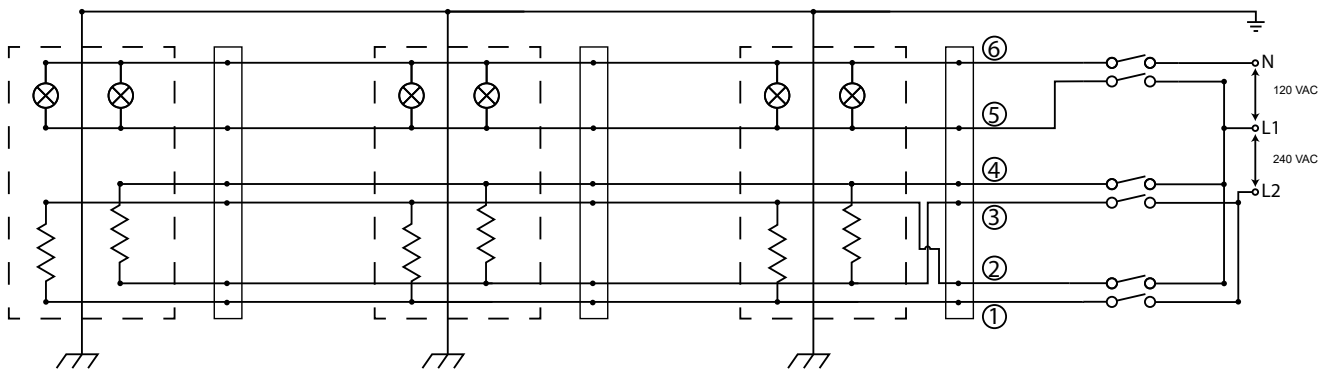
BEEM[®] by HEATSAIL

ELECTRICAL CONNECTION

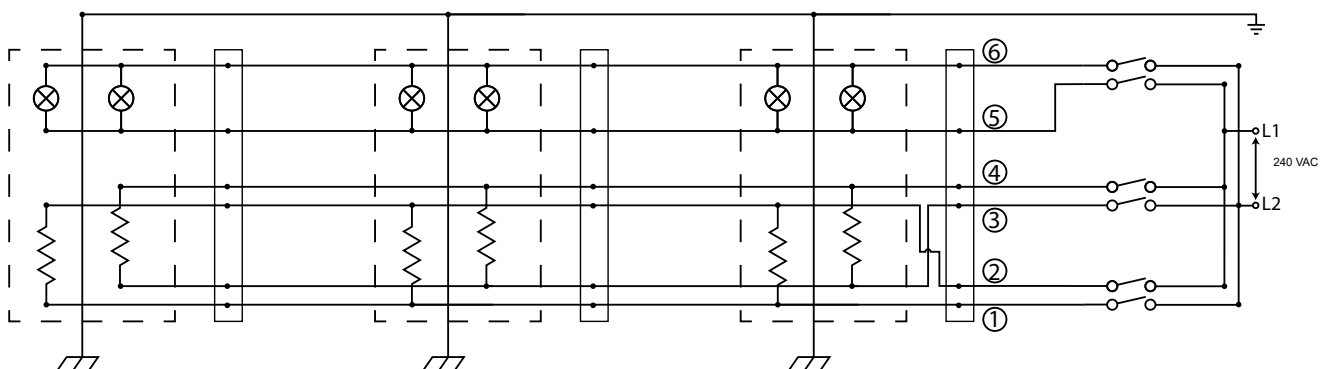
The BEEM has to be wired via wall switches: The incoming power is divided over the three circuits through three wall switches installed by a qualified electrician. The output lines of the wall switches will consist of six lines in a size not less than 1.5 mm² / 16 AWG according to the following drawing:



CONNECTION LIGHT 110-120V AC



CONNECTION LIGHT 220-240V AC



To connect the BEEM to the main power, a three pole connection is required consisting of two hot wires (with an output of 110-120/220-240V AC-60 Hz) a Neutral wire and one grounding wire in a size not less than 1.5 mm² / 16 AWG. For safety reasons 2.5 mm² / 14 AWG is recommended.



Headquarters
 Prins Boudewijnlaan 7 Unit A 08
 2550 Kontich
 Belgium
 + 32 3 502 99 88

North American office
 10440 N Central Expressway
 Suite 800, Dallas, Texas 75231
 United States
 + 1 (214) 808 5091

W: www.heatsail.com
E: sales@heatsail.com