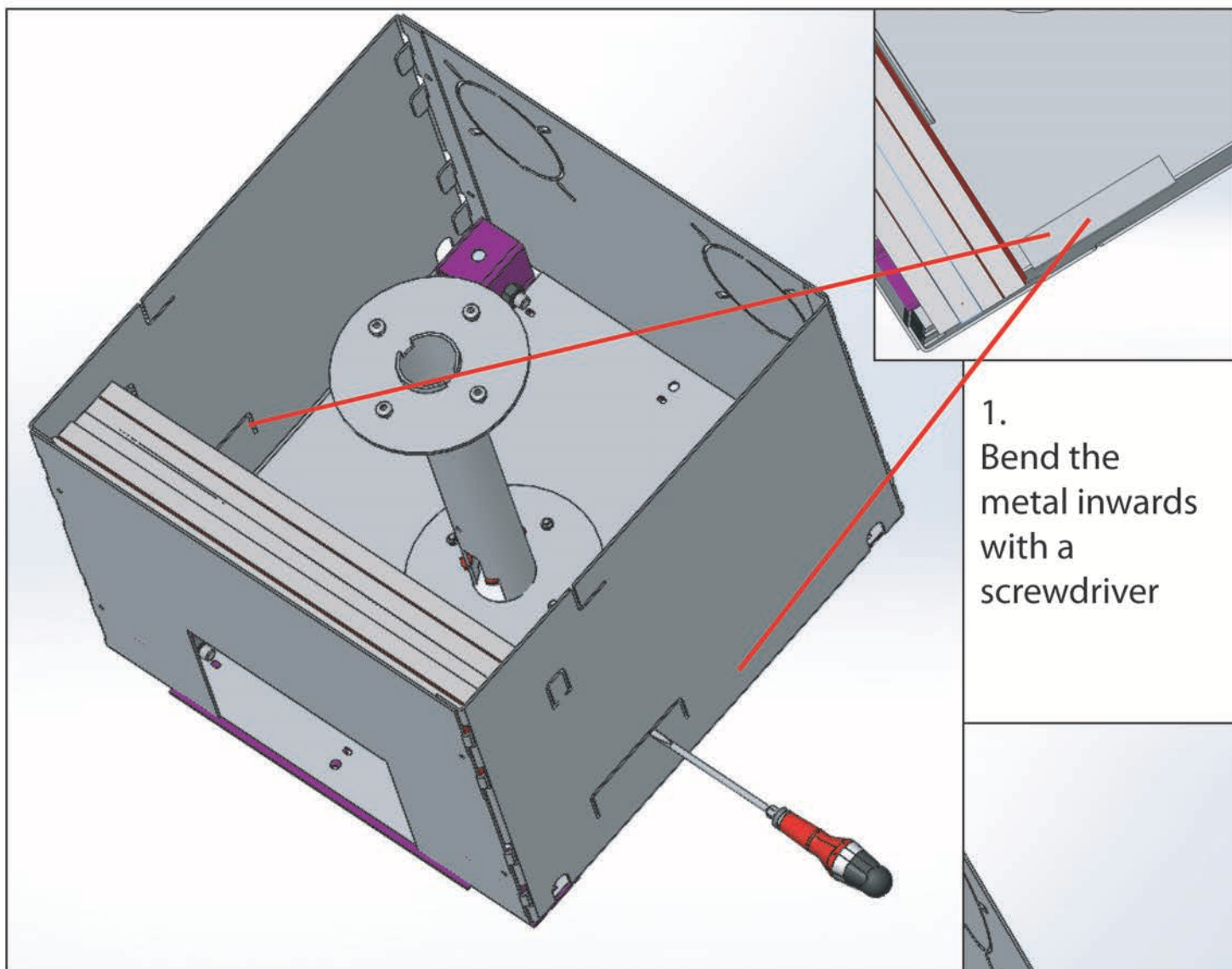


DOME - Where to put the extra weight



1.
Bend the
metal inwards
with a
screwdriver

First 5 steel weights
go here.

Then
put up to 6 metal
plates on the lower
supports.

If even more
weights, divide
them over the
free space.

